

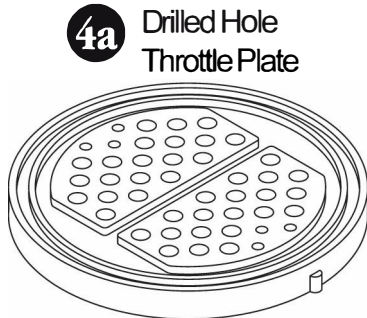
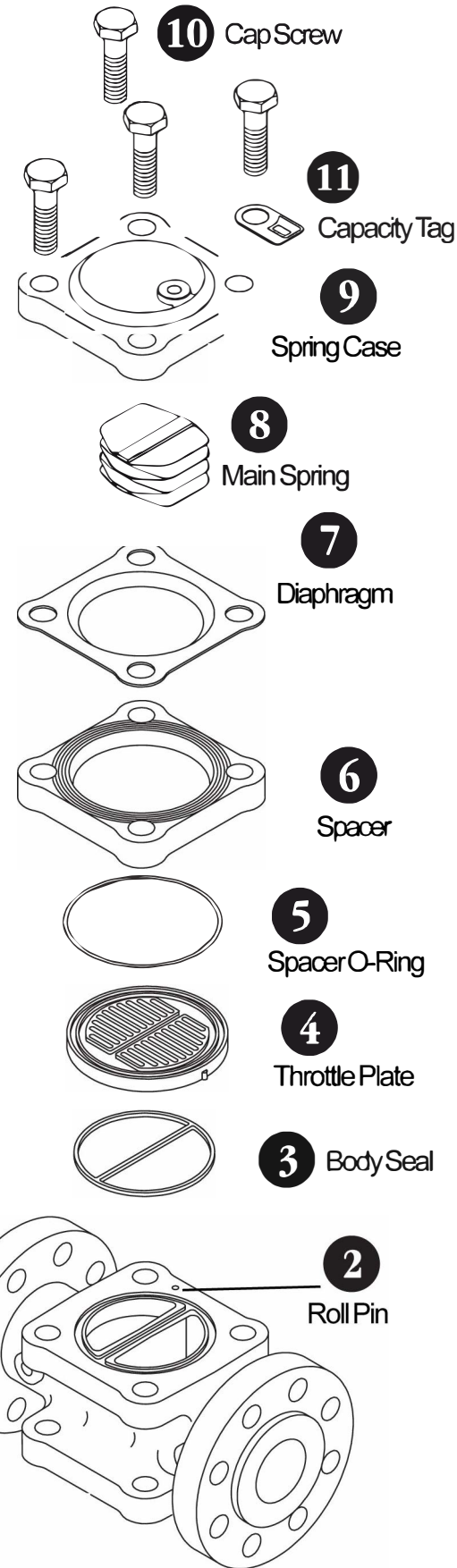
PARTS LIST - 2" Large

2"

Large Port

Includes: 2" RF Flanged CL 150 - 600

Item	Description	Material	Part Number	Quantity
1	Body - Dual Port 2" CL 150 RF Flanged (FG-32) [†] 2" CL 300 RF Flanged (FG-33) [†] 2" CL 600 RF Flanged (FG-34) [†]	Carbon Steel (A216 Gr. WCB)	102-009-01 102-007-01 102-005-01	1
2	Roll Pin (3/16 x 1/2)	Steel	035-001-01	
3	Body Seal Nitrile Viton	Nitrile Viton	102-016-01 102-016-02	
4	Throttle Plate 100% Capacity Flowgrid 75% Capacity Flowgrid 50% Capacity Flowgrid 35% Capacity Flowgrid	17-4PH SST 17-4PH SST 17-4PH SST 17-4PH SST	102-041-01 102-055-01 102-056-01 102-057-01	
4a	100% Capacity Drilled Hole 75% Capacity Drilled Hole 50% Capacity Drilled Hole 35% Capacity Drilled Hole	A 515 w/ ENCCoating A 515 w/ ENCCoating A 515 w/ ENCCoating A 515 w/ ENCCoating	102-065-01 102-066-01 102-067-01 102-068-01	
5	Spacer O-Ring	Nitrile Viton	021244-01 021244-02	
6	Spacer	Carbon Steel	102-042-01	
7	Diaphragm 75 Durometer 60 Durometer 80 Durometer Hi ACN 80 Durometer Lo-ACN Viton	Nitrile / Nylon Nitrile / Nylon Nitrile / Nylon Nitrile / Nylon Viton / Nylon	102-053-01 102-053-02 102-053-03 102-053-04 102-053-05	
8	Main Spring Standard Low Differential	301 Stainless Steel	102-014-01 102-034-01	
9	Spring Case with Diaphragm Guide	Carbon Steel (A216 Gr. WCB)	102-043-01	
10	Cap Screw (3/4-10 UNC x 3.00 Lg)	SAE Grade 8	030-003-01	4
11	Capacity Tag	Brass	100-014-01	1



[**Boxed items indicate recommended spare parts**
[†] (FG-*) Indicates stock number for the Flowgrid Valve Assembly associated with each body